

RACCORDI PORTAGOMMA IN NYLON

LEGENDA CODICE

5010TR
↓
Codice
code

18
↓
Filetto
thread size

4
↓
Diametro Tubo
tube diameter

Conico BSPT BSPT thread	
18	R1/8"
14	R1/4"
38	R3/8"
12	R1/2"
34	R3/4"
1	R1

Misure in mm mm sizes	
4	4mm
5	5mm
6	6mm
8	8mm
10	10mm
12	12mm
14	14mm
16	16mm
19	19mm
25	25mm



DATI TECNICI

Fluidi compatibili Aria compressa, acqua, fluidi alimentari compatibili con i materiali costruttivi

Materiali costruttivi Nylon 66

Filettature Gas Conica BSPT da R1/8" a R1" NPT da N1/8" a N3/4"

Pressione d'esercizio sino a 14 BAR (200 psi) a 20°C

Temperatura d'esercizio da -5°F a +230°F / da -20°C a +110°C

Caratteristiche Compatibili per connessioni con tubi in plastica, gomma e PVC morbido

Prodotti conformi alla direttiva 2002/95/EC **RoHS**

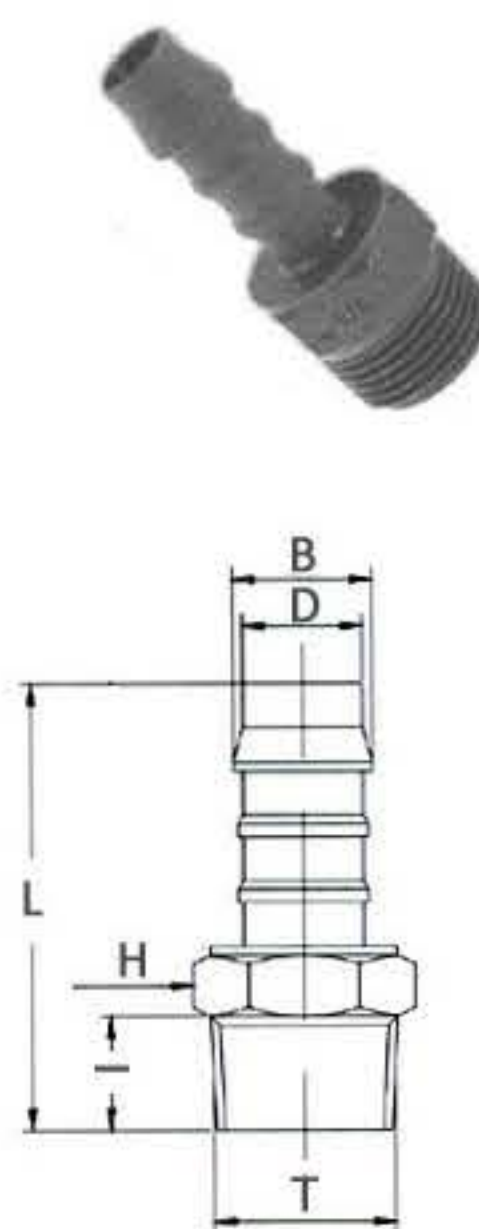
Prodotti conformi alla direttiva 1907/2006



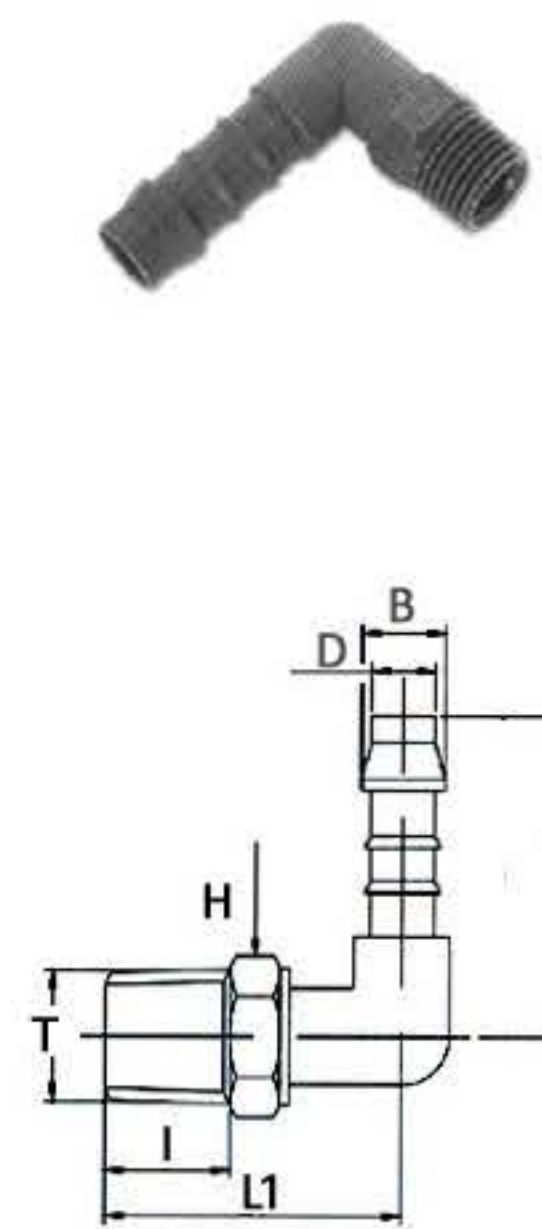
Portagomma maschio conico BSPT

CODE	T	ØD I.D.	I	L	H (Hex)	ØB Cresta barb
5010TR184	R1/8"	4	8,0	30,5	11	5,2
5010TR144	R1/4"	4	10,0	33,5	14	5,2
5010TR185	R1/8"	5	8,0	35,5	11	6,3
5010TR145	R1/4"	5	10,0	38,5	14	6,3
5010TR186	R1/8"	6	8,0	37,5	11	8,0
5010TR146	R1/4"	6	10,0	40,5	14	8,0
5010TR386	R3/8"	6	10,0	40,5	17	8,0
5010TR126	R1/2"	6	12,5	44,0	22	8,0
5010TR346	R3/4"	6	14,5	46,0	22	8,0
5010TR188	R1/8"	8	8,0	39,5	11	10,0
5010TR148	R1/4"	8	10,0	42,5	14	10,0
5010TR388	R3/8"	8	10,0	42,5	17	10,0
5010TR128	R1/2"	8	12,5	46,0	22	10,0
5010TR1410	R1/4"	10	10,0	44,0	14	12,0
5010TR3810	R3/8"	10	10,0	44,0	17	12,0
5010TR1210	R1/2"	10	12,5	48,0	22	12,0
5010TR3410	R3/4"	10	14,5	50,0	27	12,0
5010TR1412	R1/4"	12	10,0	45,0	14	14,0
5010TR3812	R3/8"	12	10,0	45,0	17	14,0
5010TR1212	R1/2"	12	12,5	49,0	22	14,0
5010TR3412	R3/4"	12	14,5	51,0	27	14,0
5010TR3814	R3/8"	14	10,0	47,0	17	16,2
5010TR1214	R1/2"	14	12,5	50,5	22	16,2
5010TR3414	R3/4"	14	14,5	52,5	27	16,2
5010TR1216	R1/2"	16	12,5	51,0	22	18,2
5010TR3416	R3/4"	16	14,5	53,0	27	18,2
5010TR1219	R1/2"	19	12,5	52,0	22	21,0
5010TR3419	R3/4"	19	14,5	54,0	27	21,0
5010TR119	R1"	19	21,0	62,0	27	21,0

5010



5020



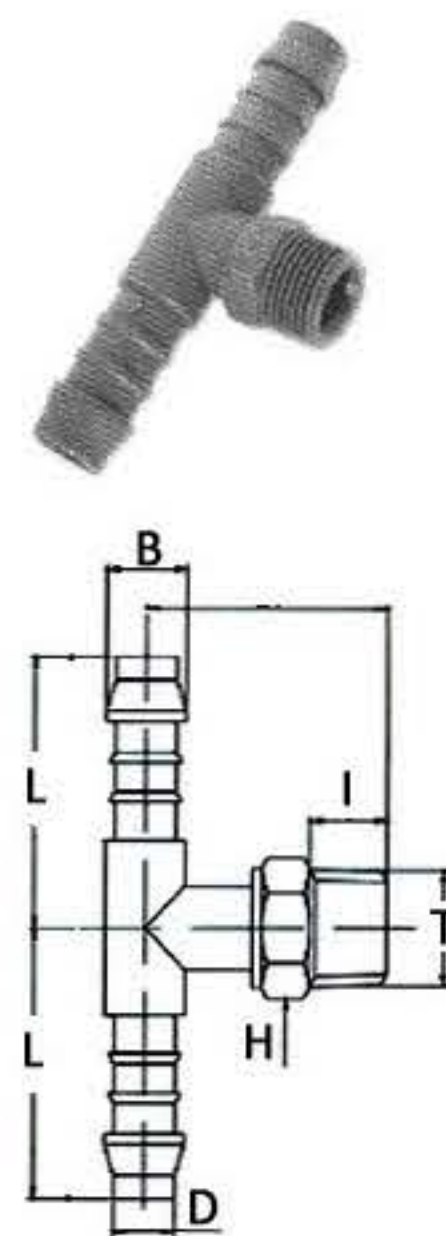
Portagomma a gomito maschio conico BSPT

CODE	T	ØD I.D.	I	L	L1	H (Hex)	ØB Cresta barb
5020TR184	R1/8"	4	8,0	22,5	21,0	11	5,2
5020TR144	R1/4"	4	10,0	22,5	24,0	14	5,2
5020TR185	R1/8"	5	8,0	28,0	26,0	14	6,3
5020TR145	R1/4"	5	10,0	28,0	26,0	14	6,3
5020TR125	R1/2"	5	13,0	30,0	30,0	22	6,3
5020TR186	R1/8"	6	8,5	31,5	23,5	11	8,0
5020TR146	R1/4"	6	10,0	31,0	26,0	14	8,0
5020TR386	R3/8"	6	10,5	31,0	26,0	17	8,0
5020TR126	R1/2"	6	13,0	31,5	30,0	22	8,0
5020TR188	R1/8"	8	8,0	36,0	26,0	11	10,0
5020TR148	R1/4"	8	10,0	36,0	28,0	14	10,0
5020TR388	R3/8"	8	10,5	36,0	28,0	17	10,0
5020TR128	R1/2"	8	13,0	30,5	30,5	22	10,0
5020TR1410	R1/4"	10	10,0	39,0	28,0	14	12,0
5020TR3810	R3/8"	10	10,5	39,0	28,0	17	12,0
5020TR1210	R1/2"	10	13,0	30,5	30,5	22	12,0
5020TR3410	R3/4"	10	14,5	33,5	27	27	12,0
5020TR1412	R1/4"	12	10,0	41,0	28,0	14	14,0
5020TR3812	R3/8"	12	10,5	41,0	28,0	17	14,0
5020TR1212	R1/2"	12	13,0	32,0	32,0	22	14,0
5020TR3412	R3/4"	12	14,5	34,0	27	27	14,0
5020TR3814	R3/8"	14	10,5	42,5	31,5	17	16,2
5020TR1214	R1/2"	14	13,0	42,5	34,0	22	16,2
5020TR3414	R3/4"	14	14,5	37,5	27	27	16,2
5020TR1216	R1/2"	16	12,5	44,0	36,0	22	18,2
5020TR3416	R3/4"	16	14,5	39,0	27	27	18,2
5020TR1219	R1/2"	19	12,5	45,0	36,0	22	21,0
5020TR3419	R3/4"	19	15,0	45,0	38,0	27	21,0

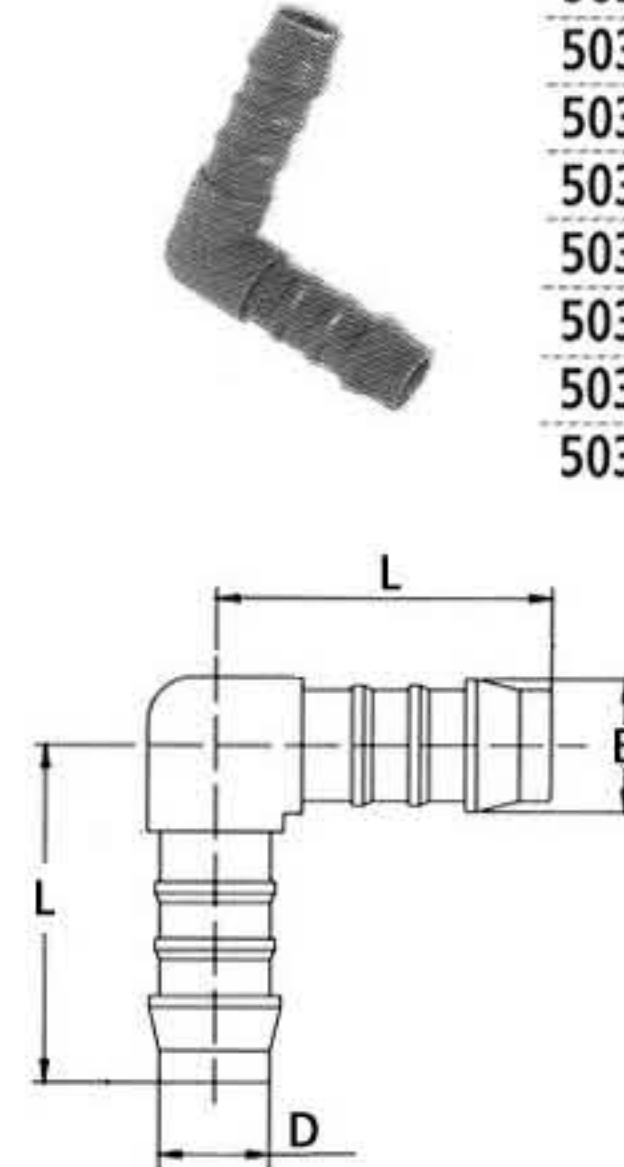
Portagomma a T maschio conico BSPT

CODE	T	ØD I.D.	I	L	L1	H (Hex)	ØB Cresta barb
5025TR184	R1/8"	4	8,0	19,5	18,5	11	5,2
5025TR144	R1/4"	4	10,5	19,5	21,5	14	5,2
5025TR185	R1/8"	5	8,0	25,0	19,5	11	6,3
5025TR145	R1/4"	5	10,5	22,5	14	6,3	6,3
5025TR186	R1/8"	6	8,5	31,5	23,5	11	8,0
5025TR146	R1/4"	6	10,5	27,5	23,0	14	8,0
5025TR386	R3/8"	6	13,0	27,5	23,0	17	8,0
5025TR126	R1/2"	6	12,5	27,5	27,0	22	8,0
5025TR188	R1/8"	8	8,0	30,5	21,5	11	10,0
5025TR148	R1/4"	8	10,5	30,5	24,5	14	10,0
5025TR388	R3/8"	8	10,5	30,5	24,5	17	10,0
5025TR128	R1/2"	8	13,0	28,5	28,5	22	10,0
5025TR1410	R1/4"	10	10,0	39,0	28,0	14	12,0
5025TR3810	R3/8"	10	10,5	39,0	28,0	17	12,0
5025TR1210	R1/2"	10	12,5	30,5	30,5	22	12,0
5025TR3410	R3/4"	10	13,0	31,5	27	27	12,0
5025TR1412	R1/4"	12	10,0	41,0	28,0	14	14,0
5025TR3812	R3/8"	12	10,5	41,0	28,0	17	14,0
5025TR1212	R1/2"	12	13,0	31,5	31,5	22	14,0
5025TR3412	R3/4"	12	13,0	31,5	27	27	14,0
5025TR3814	R3/8"	14	10,5	42,5	31,5	17	16,2
5025TR1214	R1/2"	14	12,5	42,5	34,0	22	16,2
5025TR3414	R3/4"	14	13,0	35,0	27	27	16,2
5025TR1216	R1/2"	16	12,5	44,0	36,0	22	18,2
5025TR3416	R3/4"	16	13,5	37,0	27	27	18,2
5025TR1219	R1/2"	19	12,5	45,0	36,0	22	21,0
5025TR3419	R3/4"	19	13,5	45,0	36,0	27	21,0

5025



5030



Portagomma intermedio a gomito

CODE	ØD I.D.	L	ØB Cresta barb
5030TR4	4	23,0	5,2
5030TR5	5	28,5	6,3
5030TR6	6	31,5	8,0
5030TR8	8	36,5	10,0
5030TR10	10	39,0	12,0
5030TR12	12	40,0	14,0
5030TR14	14	42,5	16,2
5030TR16	16	44,0	18,2
5030TR19	19	45,0	21,0

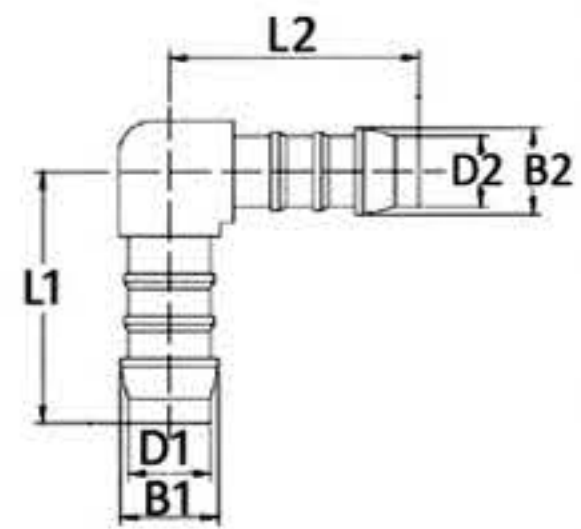
RACCORDI PORTAGOMMA IN NYLON

5035



Portagomma intermedio a gomito ridotto

CODE	ØD1 I.D.	ØD2 I.D.	L1	L2	ØB1 Cresta barb	ØB2 Cresta barb
5035TR54	5	4	28,5	23,0	6,3	5,2
5035TR65	6	5	31,5	28,5	8,0	6,3
5035TR86	8	6	36,5	31,5	10,0	8,0
5035TR106	10	6	39,0	31,5	12,0	8,0
5035TR108	10	8	39,0	36,5	12,0	10,0
5035TR1210	12	10	40,0	39,0	14,0	12,0
5035TR1412	14	12	42,5	40,0	16,2	14,0
5035TR1614	16	14	44,0	42,5	18,2	16,2
5035TR1916	19	16	45,0	44,0	21,0	18,2

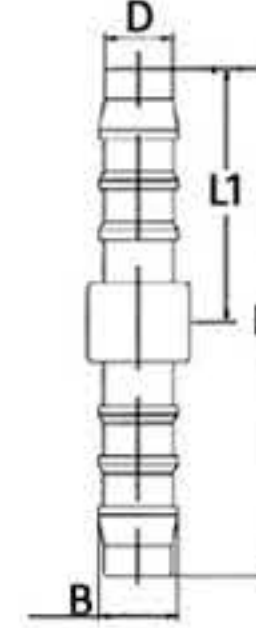


5040



Portagomma intermedio dritto

CODE	ØD I.D.	L1	L	ØB Cresta barb
5040TR4	4	18,0	36,0	5,2
5040TR5	5	23,5	47,0	6,3
5040TR6	6	26,0	52,0	8,0
5040TR8	8	29,0	58,0	10,0
5040TR10	10	31,5	63,0	12,0
5040TR12	12	33,0	66,0	14,0
5040TR14	14	35,5	71,0	16,2
5040TR16	16	36,0	72,0	18,2
5040TR19	19	37,0	74,0	21,0

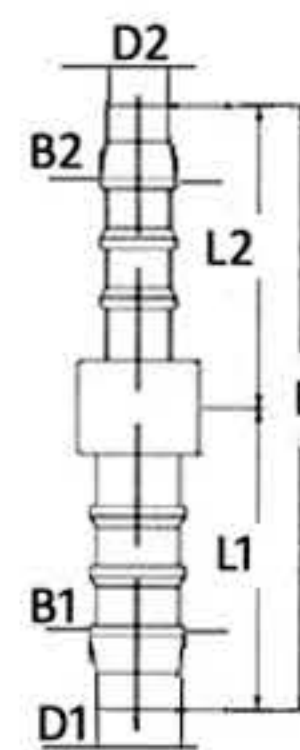


5045



Portagomma intermedio dritto ridotto

CODE	ØD1 I.D.	ØD2 I.D.	L1	L2	L	ØB1 Cresta barb	ØB2 Cresta barb
5045TR54	5	4	23,5	18,0	41,5	6,3	5,2
5045TR64	6	4	26,0	18,0	44,0	8,0	5,2
5045TR65	6	5	26,0	23,5	49,5	8,0	6,3
5045TR85	8	5	29,5	23,5	53,0	10,0	6,3
5045TR86	8	6	29,0	26,0	55,0	10,0	8,0
5045TR106	10	6	31,5	26,0	57,5	12,0	8,0
5045TR108	10	8	31,5	29,0	60,5	12,0	10,0
5045TR128	12	8	33,0	29,0	62,0	14,0	10,0
5045TR1210	12	10	33,0	31,5	64,5	14,0	12,0
5045TR1410	14	10	35,5	31,5	67,0	16,2	12,0
5045TR1412	14	12	35,5	33,0	68,5	16,2	14,0
5045TR1612	16	12	36,0	33,0	69,0	18,2	14,0
5045TR1614	16	14	36,0	35,5	71,5	18,2	16,2
5045TR1914	19	14	37,0	35,5	72,5	21,0	16,2
5045TR1916	19	16	37,0	36,0	73,0	21,0	18,2

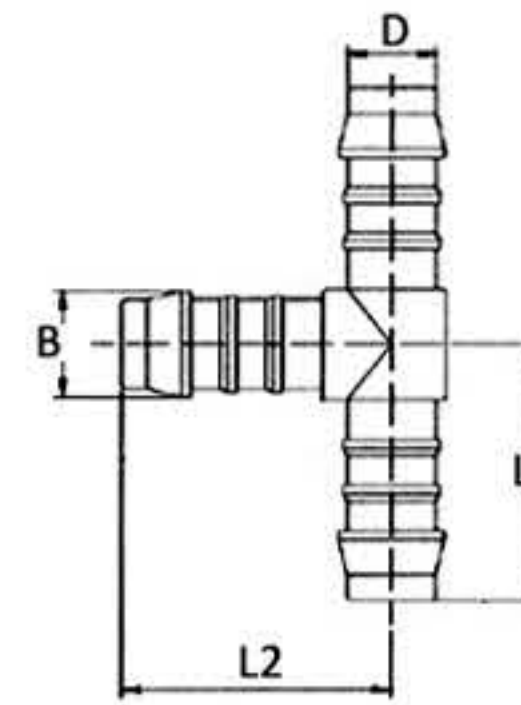


5050



Portagomma intermedio a T

CODE	ØD I.D.	L1	L2	ØB Cresta barb
5050TR4	4	19,0	20,5	5,2
5050TR5	5	25,0	26,5	6,3
5050TR6	6	27,5	29,0	8,0
5050TR8	8	30,5	32,5	10,0
5050TR10	10	33,0	33,5	12,0
5050TR12	12	34,0	37,5	14,0
5050TR14	14	42,5	42,5	16,2
5050TR16	16	44,0	44,0	18,2
5050TR19	19	45,0	45,0	21,0

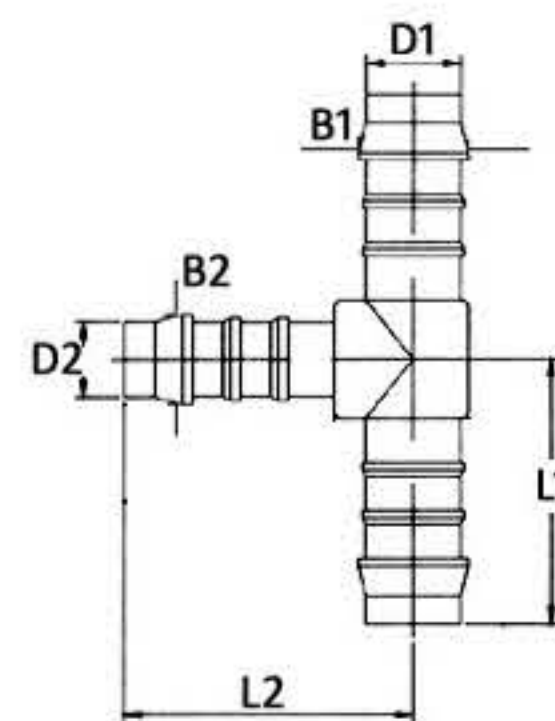


5055



Portagomma intermedio a T ridotto

CODE	ØD1 I.D.	ØD2 I.D.	L1	L2	ØB1 Cresta barb	ØB2 Cresta barb
5055TR54	5	4	25,0	21,5	6,3	5,2
5055TR65	6	5	27,5	27,0	8,0	6,3
5055TR86	8	6	30,5	30,5	10,0	8,0
5055TR108	10	8	33,0	34,0	12,0	10,0
5055TR1210	12	10	34,5	36,5	14,0	12,0
5055TR1412	14	12	37,0	38,5	16,2	14,0
5055TR1614	16	14	39,0	41,5	18,2	16,2
5055TR1916	19	16	41,0	43,0	21,0	18,2

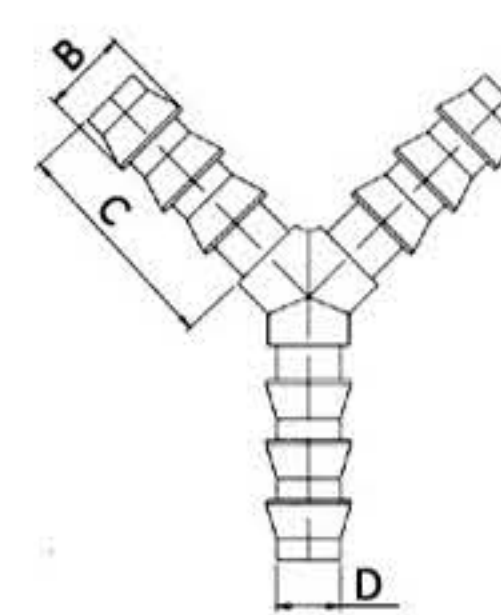


5060



Portagomma a Y

CODE	ØD I.D.	C	ØB Cresta barb
5060TR4	4	16,5	5,2
5060TR6	6	23,5	8,0
5060TR8	8	25,5	10,0
5060TR10	10	24,0	12,0
5060TR17	17	24,0	17,6



1850



Tappo maschio conico BSPT

CODE	T	I	L	H (Hex)
1850TR18	R1/8"	9,0	14,0	12
1850TR14	R1/4"	10,5	16,0	15
1850TR38	R3/8"	10,5	16,0	17
1850TR12	R1/2"	12,5	20,0	22
1850TR34	R3/4"	15,0	22,0	30

